

SANTINT

A2-Hummingbird

Automatic Dispenser

100% Recirculation

1/2000Y Minimum Shot



Item	Detail	Item	Detail
Dispensing Mode	Sequential	No. of Canisters	Up to 16
Pump	Piston Pump	Minimum Shot	1/2000Y
Flow Rate	600ml/min	Efficiency	200ml/min
Thick Pump Diameter	25mm	Thin Pump Diameter	10mm
Big Nozzle Diameter	3mm	Small Nozzle Diameter	1.5mm
Power Supply	220V/110V 50Hz/60Hz	Motor Power	100W
Weight	140Kg	Dimension	707×848×1300mm

Accuracy

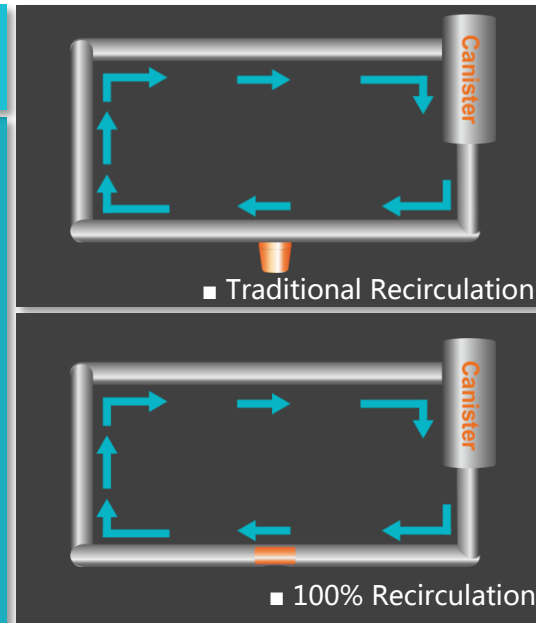


- Double pump + double nozzle +100% recirculation realizes minimum shot of 1/2000Y (0.015ml) .
- Variation of 1/768Y is lower than 10%. Stable accuracy ensured for sample paint.

100% Innovation



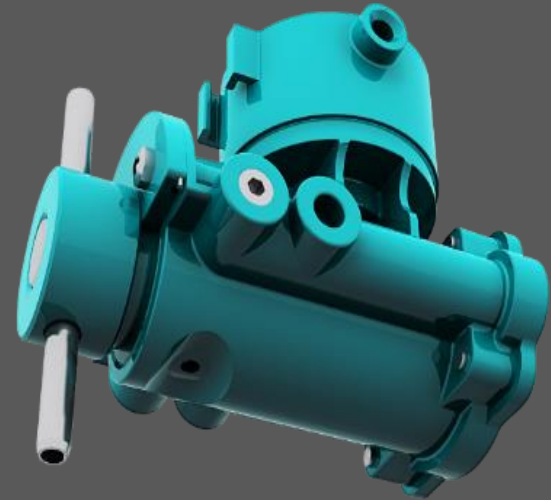
- Nozzle is rotated and covered automatically to isolate air when not in use.
- Nozzle is part of channel for 100% recirculation, thus the colorant at the nozzle is always in good condition due to its fluidity.
- International invention patent, breakthrough of traditional nozzle technology.



100% Benefits



- Better customer satisfaction through solution of nozzle dryness and blockage to eliminate the relevant mistints and complaints.
- No purge maintenance. Less time and effort for dispenser maintenance in store.
- Wasted colorants of purge are saved to improve the profits in store.



Box Dispensing Cloud Era



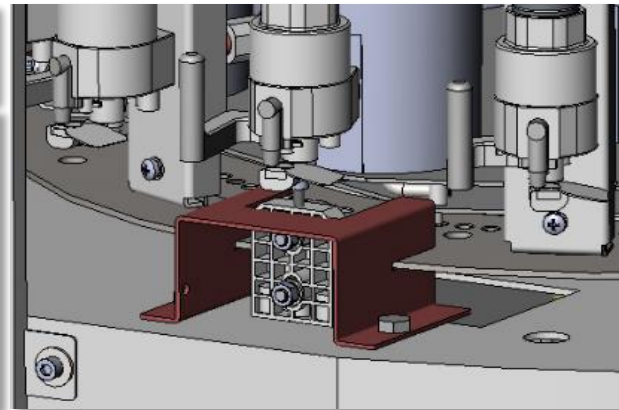
- PC is replaced by box to save the cost of computer and the operational system.
- Multi-functional and better user experience ColorExpert 3.
- ColorExpert 3 online version provides cloud management for numerous dispensing stores.



Fixing Device of Turntable



- Unique fixing device of turntable avoids any shift or displacement during transportation.
- All-metal shell and overall structure, reliable quality and robust for use.





Self Detection

- Self-detection when starting the machine to lower breakdown possibility.
- Warning when the piston rod is pulled up.



Bidirectional Rotation—Click to Play



Bidirectional Rotation of Turntable

- Dispensing efficiency is greatly improved since the canisters are available for clockwise and counterclockwise rotation on the turntable.



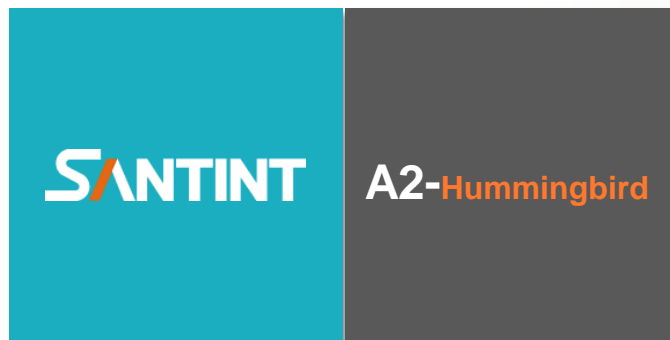
Applications



- 1/2000Y minimum shot provides solid technical foundation for sample paint promotion.

- No need to purge, easy to operate, simple to maintain.

- Outstanding minimum shot, stable performance, low total ownership cost, ideal machine for sample paint promotion.



THANKS !

SANTINT · CHINA

Address: Xushui Industrial Trade
Park, Zhengzhou.
Tel: +86 371 6785 7168

SANTINT · POLAND

Address: ul. Postepu 19. mag.5
02-676 Warszawa Polska
Email: info@santint.com

SANTINT · U.S.A

Address: 2000 Bloomingdale Road, Suite
220, Glendale Heights, IL 60139
Tel: +1 847 350 6911

SANTINT · AUSTRALIA

Address: 2/4 Weddel Court
Laverton North Victoria
Email: info@santint.com