

SANTINT

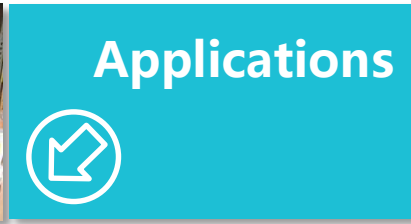
A2

Automatic Dispenser

Cost-effective

Constant Accuracy





- Small footprint, space saving.
- Cost-effective, total ownership cost greatly decreased.
- Applicable for big, medium, small stores.

Item	Detail	Item	Detail
Dispensing Model	Sequential	NO. of Canisters	16
Pump Type	Piston Pump	Minimum Shot	1/384Y
Flow Rate	600ml/min	Efficiency	222ml/min
Power Supply	220V/110V 50Hz/60Hz	Motor Power	100W
Weight	130Kg	Dimension	710×840×1300mm

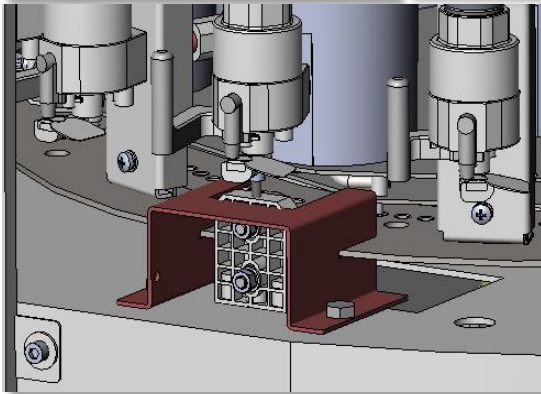
Constant Accuracy



- Ceramic valve, precise and abrasion resistant.
- Polished stainless steel cylinder equipped with piston of special material. Smooth operation and constant accuracy.



Turntable Fixing



- Unique fixing device for the turntable during transportation to avoid displacement.
- Metal shell and overall frame. Proven quality; robust and reliable.

Tablet Dispensing & Cloud Era



- PC replaced by tablet, ownership cost decreased.
- More functions, better user experience.





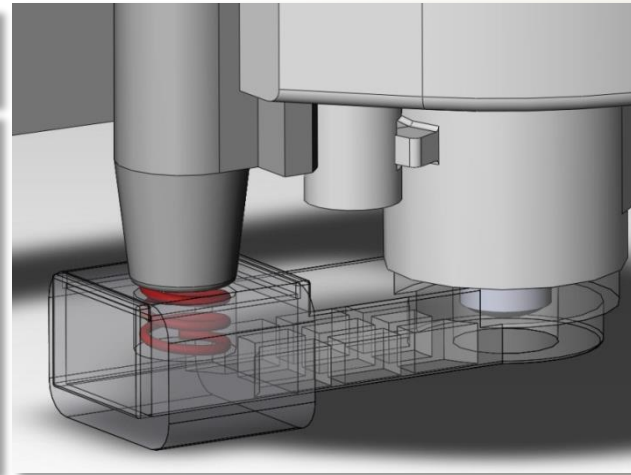
Automatic Self Check

- Self-check when the machine is started.
- Piston rod lifting warning, operational mistakes are avoided.

Patented Sealing Structure



- Thorough sealing of colorants from air to avoid dryness. Suitable for low VOC colorants.





Counter rotating--click to play



Counter Rotating

- Canisters are available for counter-rotation, the dispensing efficiency is greatly improved.



THANKS !

SANTINT · CHINA

Address: Xushui Industrial Trade
Park, Zhengzhou.
Tel: +86 371 6785 7168

SANTINT · POLAND

Address: ul. Postepu 19. mag.5
02-676 Warszawa Polska
Email: info@santint.com

SANTINT · U.S.A

Address: 2000 Bloomingdale Road, Suite
220, Glendale Heights, IL 60139
Tel: +1 847 350 6911

SANTINT · AUSTRALIA

Address: 2/4 Weddel Court
Laverton North Victoria
Email: info@santint.com