

SANTINT

A4-100%

Automatic Dispenser

100% Recirculation

1/768Y Minimum Shot

50% Improved Efficiency



Item	Detail	Item	Detail
Dispensing Mode	Sequential	No. of Canisters	Up to 16
Pump	Piston Pump	Minimum Shot	1/768Y
Flow Rate	900ml/min	Efficiency	300ml/min
Pump Diameter	32.9mm	Pump Capacity	102ml
Power Supply	220V/110V 50Hz/60Hz	Motor Power	100W
Weight	160Kg (Electric Can table)	Dimension	707×848×1270mm

Improved Performance



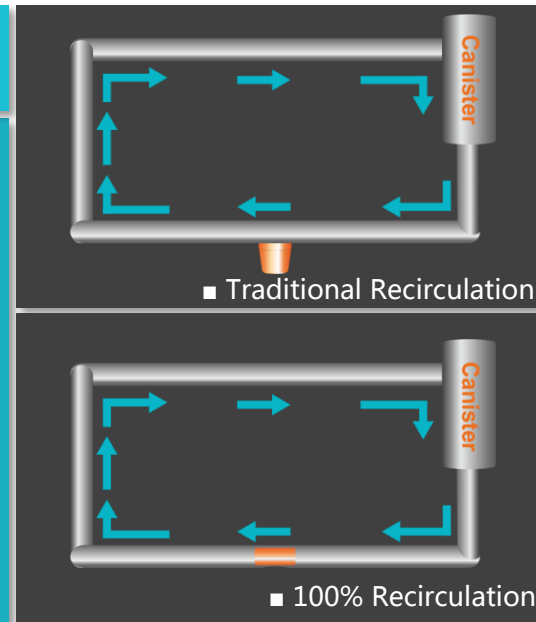
- Piston pump with better flow rate and efficiency. 50% improvements to 900ml/min and 300ml/min. (Turntable rotation time included) .
- Minimum Shot: 1/768Y (0.039ml).
- New model equipped with electrical can table for effort-saving and convenient operation.



100% Innovation



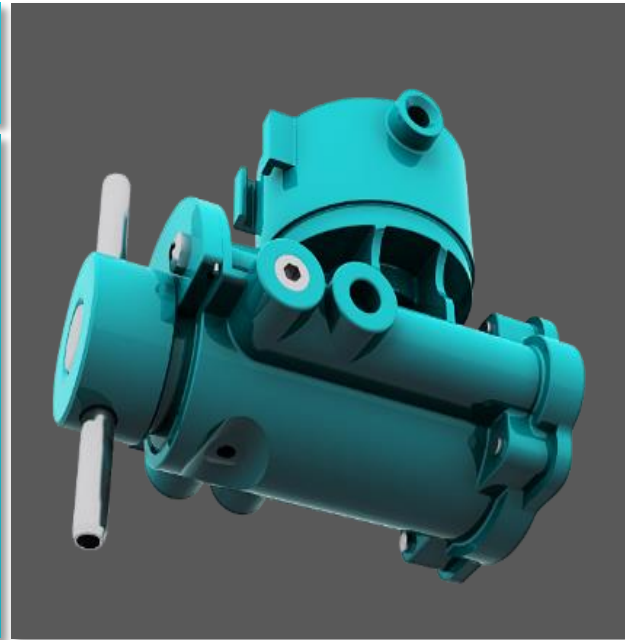
- Nozzle is rotated and covered automatically to isolate air when not in use.
- Nozzle is part of channel for 100% recirculation, thus the colorant at the nozzle is always in good condition due to its fluidity.
- International invention patent, breakthrough of traditional nozzle technology.



100% Benefits



- Better customer satisfaction through solution of nozzle dryness and blockage to eliminate the relevant mistints and complaints.
- No purge maintenance. Less time and effort for dispenser maintenance in store.
- Wasted colorants of purge are saved to improve the profits in store.



Box Dispensing Cloud Era



- PC is replaced by box to save the cost of computer and its operational system.
- Multi-functional and better user experience ColorExpert 3.
- ColorExpert 3 online version provides cloud management for numerous dispensing stores.



Stable Accuracy



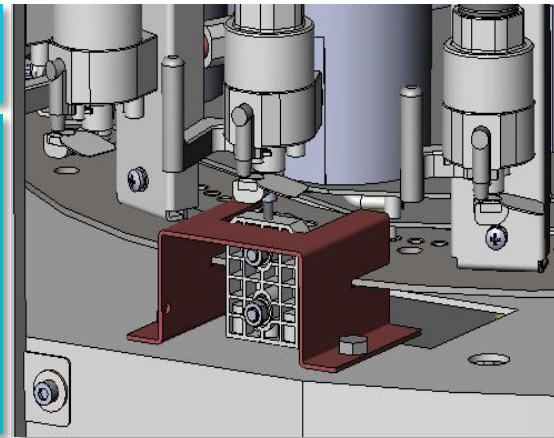
- Smooth operation realized by piston made from special material together with stainless steel cylinder.
- Zero-dryness nozzle, no mistints or blockage, consistent and stable accuracy.



Fixing Device of



- Unique fixing device of turntable avoids any shift or displacement during transportation.
- All-metal shell and overall structure, reliable quality and robust for use.





Self Detection

- Self-detection when starting the machine to lower breakdown possibility.
- Warning when the piston rod is pulled up.



Bidirectional Rotation——Click to Play



Bidirectional Rotation of Turntable

- Dispensing efficiency is greatly improved since the canisters are available for clockwise and counterclockwise rotation on the turntable.



Applications



- No need to purge, easy to operate, simple to maintain;
- Cost-effective, lower total ownership cost;
- Reliable quality, proper efficiency, stable accuracy. Ideal machine for medium and small stores.

SANTINT

A4-100%

THANKS !

SANTINT · CHINA

Address: Xushui Industrial Trade
Park, Zhengzhou.
Tel: +86 371 6785 7168

SANTINT · POLAND

Address: ul. Postepu 19. mag.5
02-676 Warszawa Polska
Email: info@santint.com

SANTINT · U.S.A

Address: 2000 Bloomingdale Road, Suite
220, Glendale Heights, IL 60139
Tel: +1 847 350 6911

SANTINT · AUSTRALIA

Address: 2/4 Weddel Court
Laverton North Victoria
Email: info@santint.com