

Maintain manual of V100 Mixer

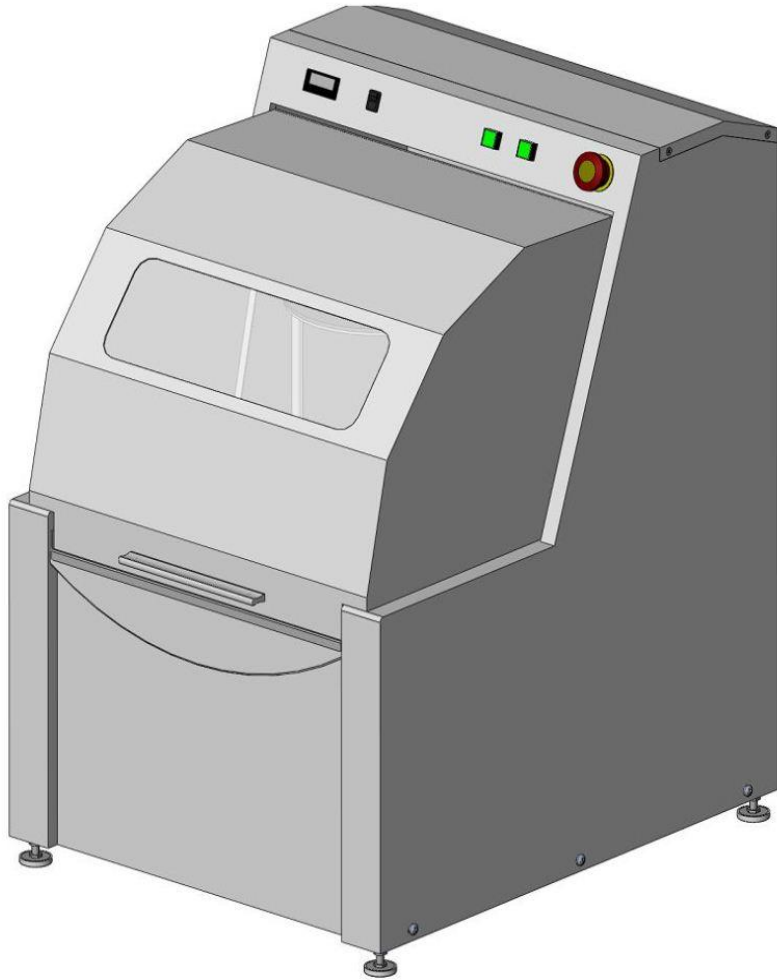


调色设备 专业制造

SANTINT™ 三华

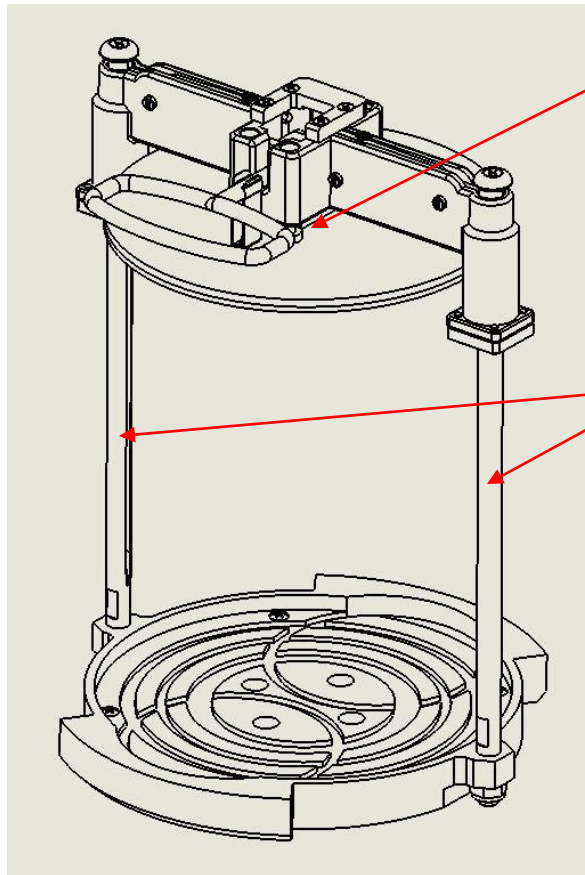
Tell: 0371-67857168

V100 Mixer shape



V100 Mixer repair and maintain

A、 V100 Mixer daily maintain



UP Platen assembly

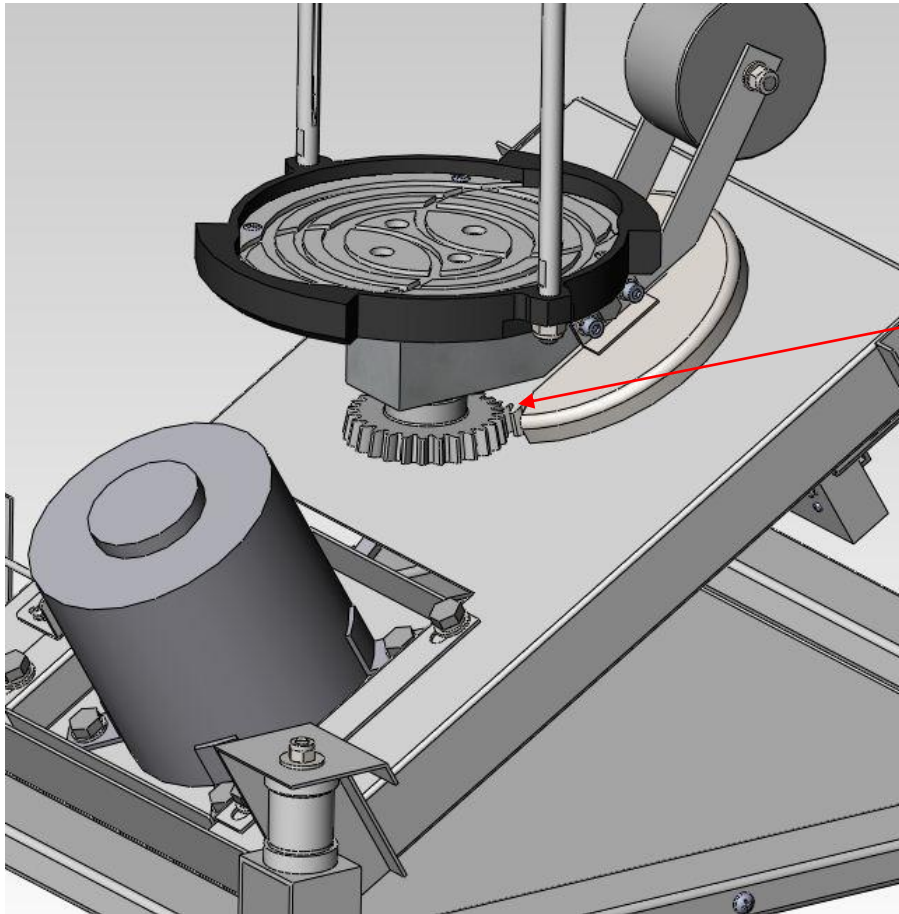
guide roller

Keep mixer inside clean ,use wet cloth clean the paint from guide roller daily after work, remove the plug when longtime not use the mixer.

B、 V100 Mix monthly maintenance

Lubricated guide roller each three month, Remove the up platen assembly up and down. ◦

C、 V100 mixer half year maintenance



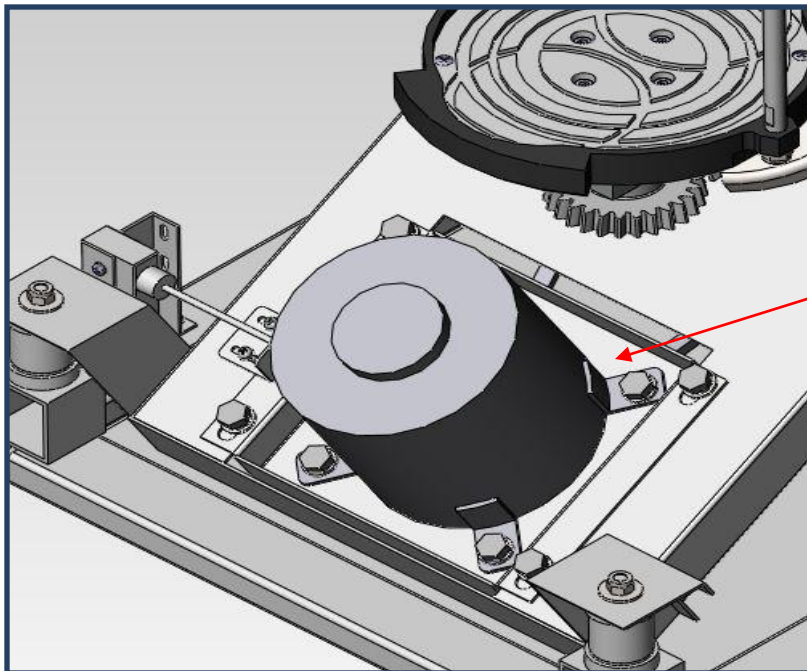
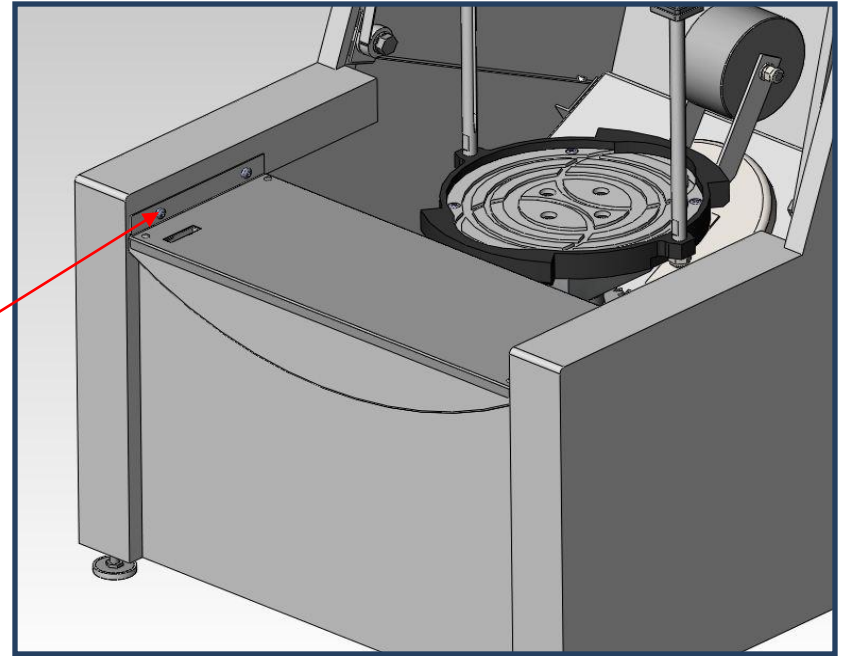
Big ,Small cone gear

Lubricated big and small cone gear half year, Ensure cone gear running flexible .

D、 V100 Mixer half year maintenance

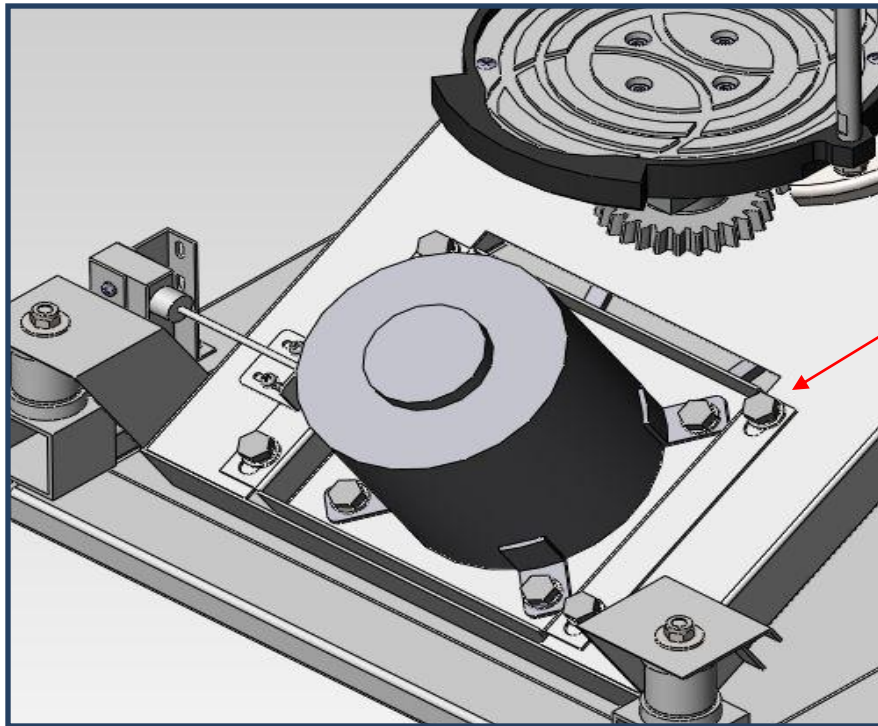
Yearly Remove the fix screw on the fixed plate check the tension of belt, if the belt loosed please adjust in time.

Fixed screw



belt

E、 V100 mixer three years maintenance



Fixed bolt

1, fixture the belt

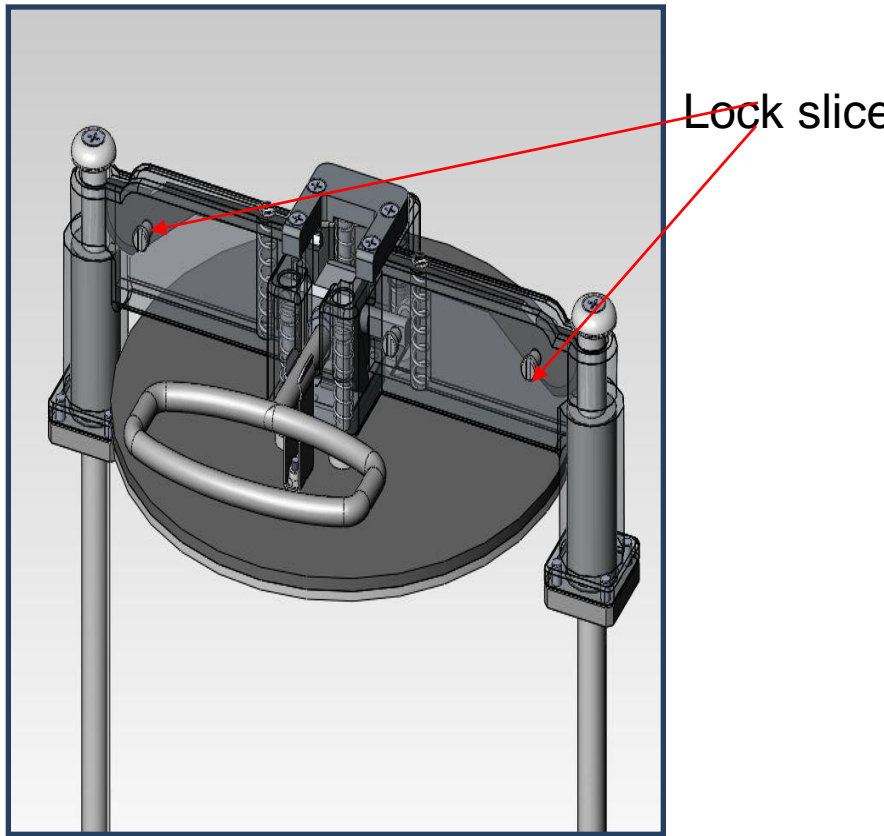
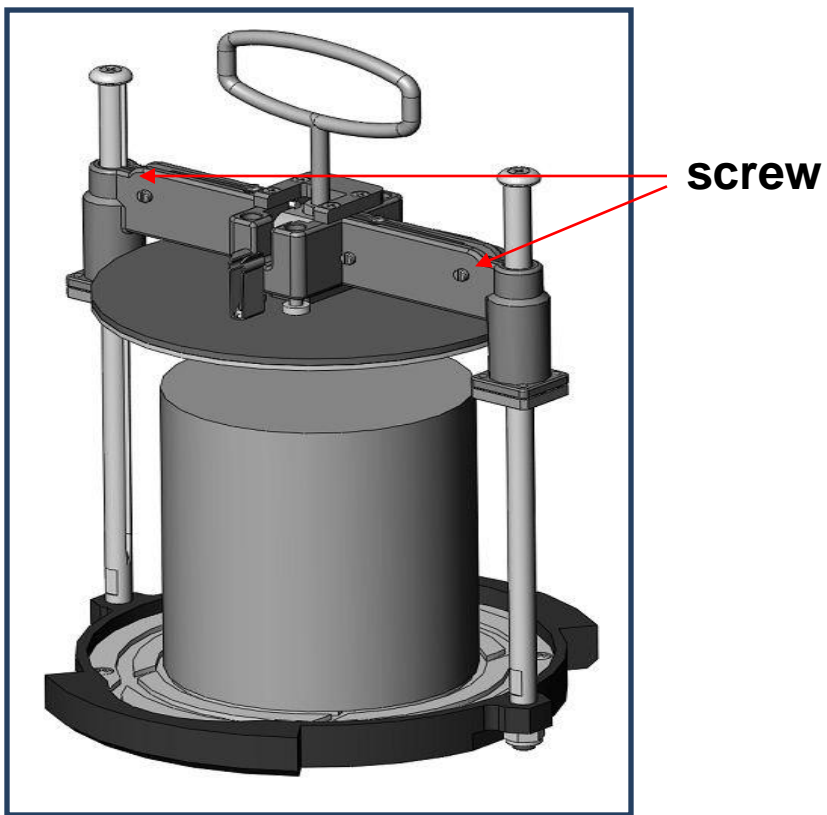
1、 Unscrew the bolt on motor fixed plate

2、 Use the slot hole in the fixed plate, adjust the belt suitable.

3、 Fix the bolt on the motor fixed plate 。

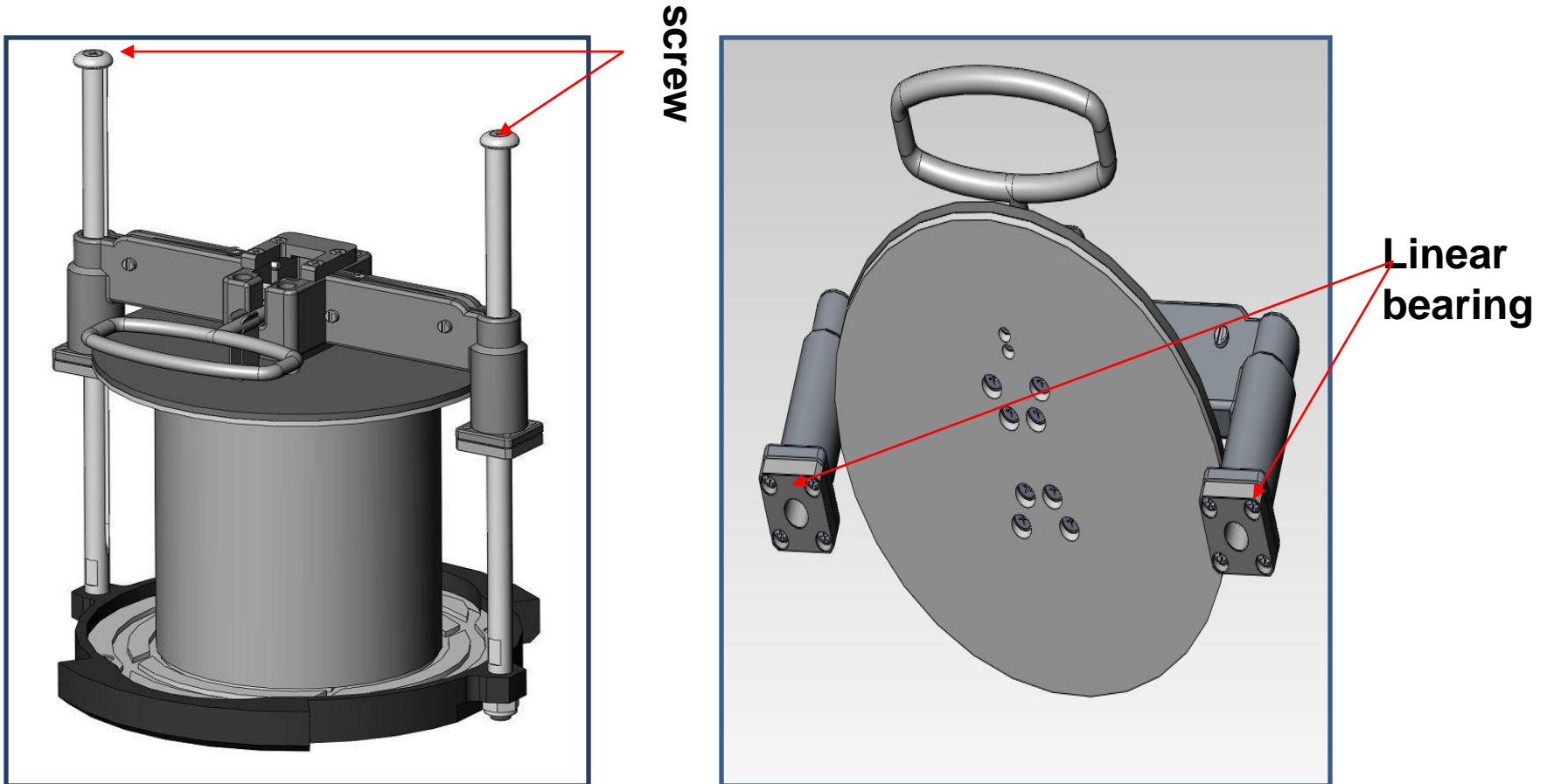
2, Check the compaction force, if it is largely decayed please replace the locking plate in time.

1、 Remove the screw platen holder



2、 After the replacement and adjustment of the new locking plate, tighten the screw on the plate holder.

3、 Check the linear bearing whether damager or not



Remove the screw from guide roller, Pull out the up platen assembly to check the linear bearing on the two sides of holder .If it is broken please replace



Thanks

After service team

- 0371-67857219
- 4006113711

