

Maintenance Manual of V360 Gyroscopic Mixer



调色设备 专业制造

SANTINT™ 三华

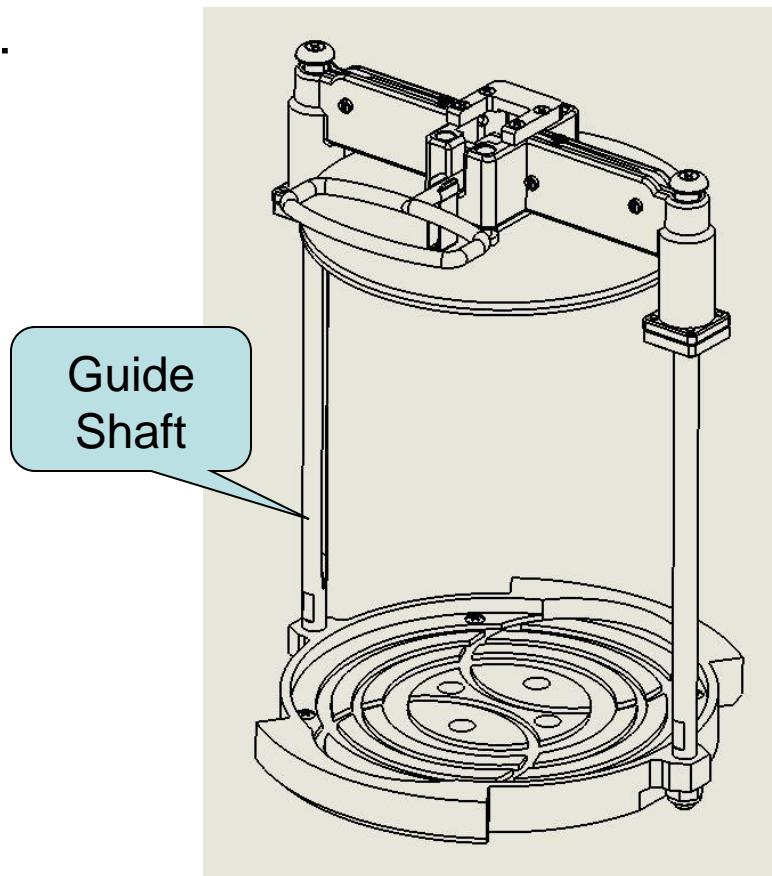
Catalogue

- A. Daily Maintenance**
- B. Monthly Maintenance**
- C .Half-yearly Maintenance**
- D - Yearly Maintenance**
- E .3-Yearly Mainenance**



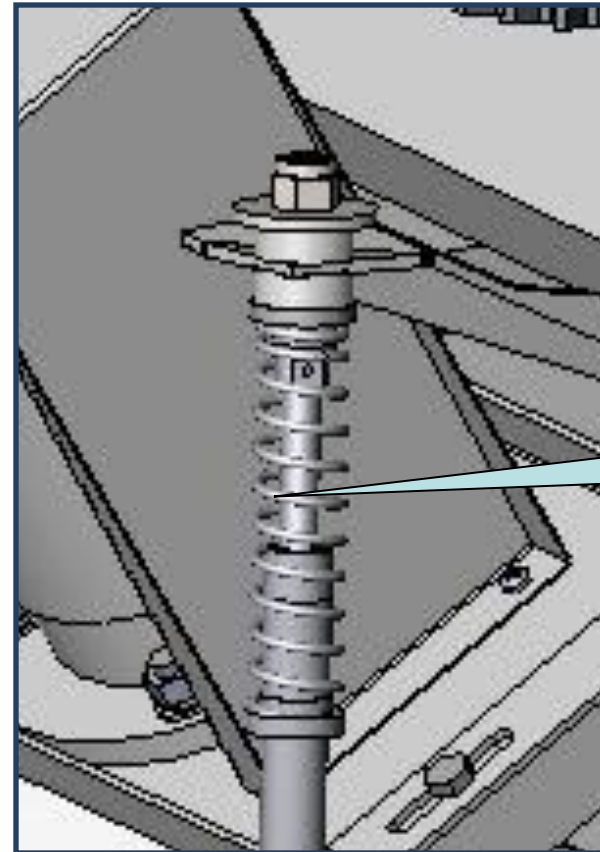
— 。 A, Daily Maintenance

Keep the inside clean, Clean
paint on Guide shaft daily.
Unplug power switch if not
used.



B, *Monthly Maintenance*

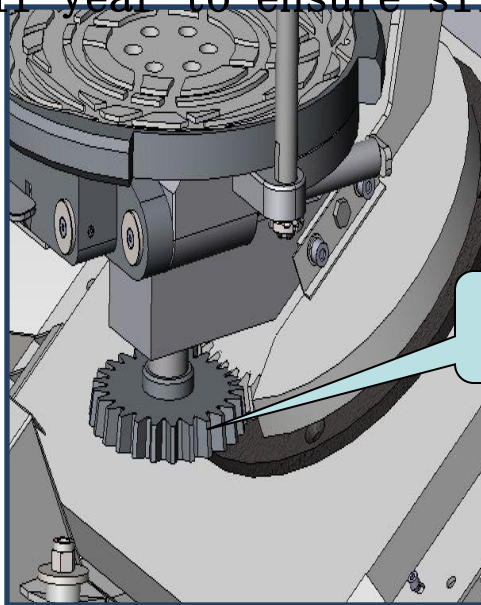
- 1、Lubricate Guide shaft every three months, and draw the clamping assembly upward and downward.**
- 2、Lubricate Guide rod every three months.**



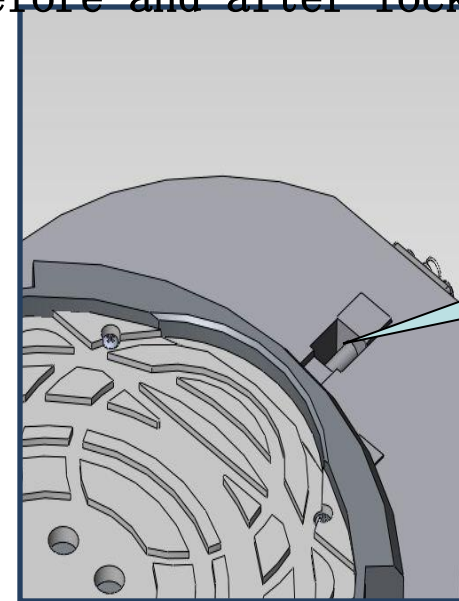
Guide
Rod

C. Half-Yearly Maintenance

- 1、Lubricate the big and small cone gear every half year to ensure frequent revolution
- 2、Lubricate the round guide rail in the bottom plate assembly every half year to ensure hauling in and out fluently.
- 3、Lubricate the lock pin shaft in the bottom plate assembly every half year to ensure sliding fluently before and after lock.



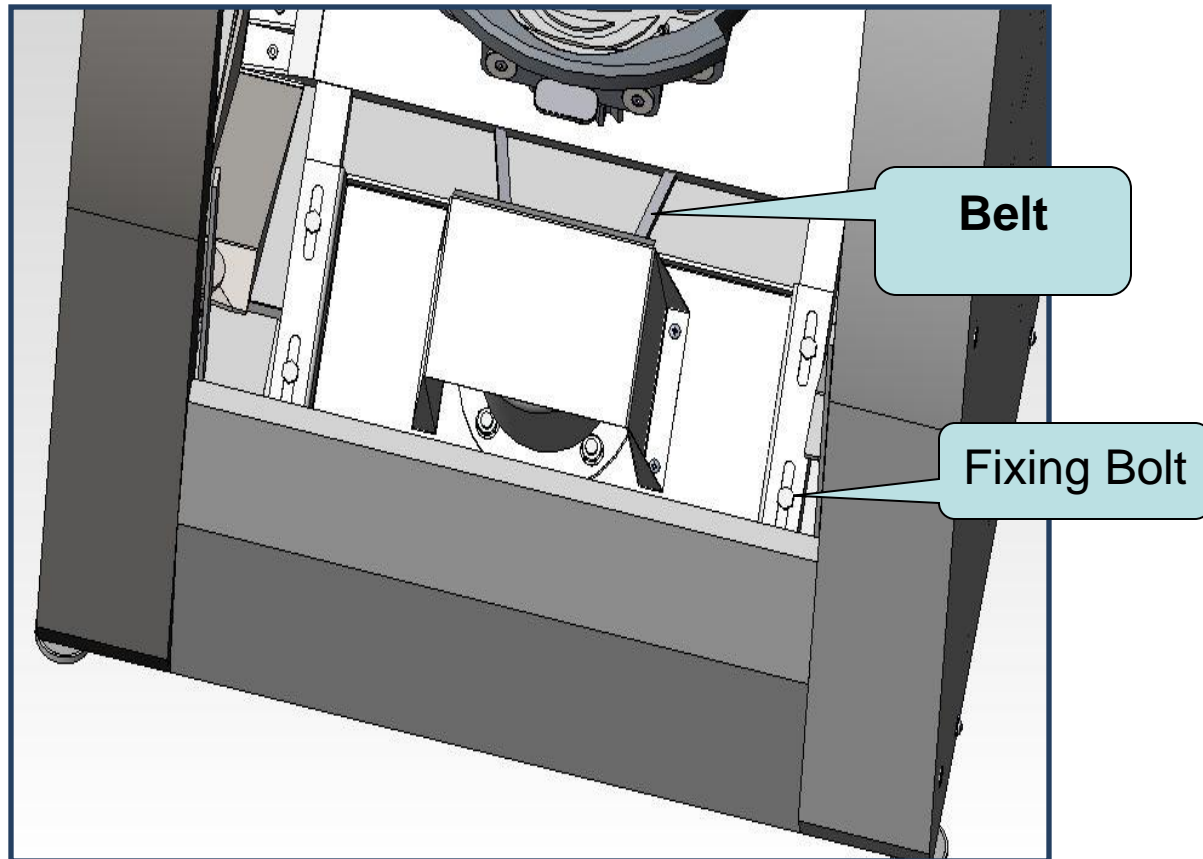
Big cone gear



Lock pin shaft

D. Yearly Maintenance

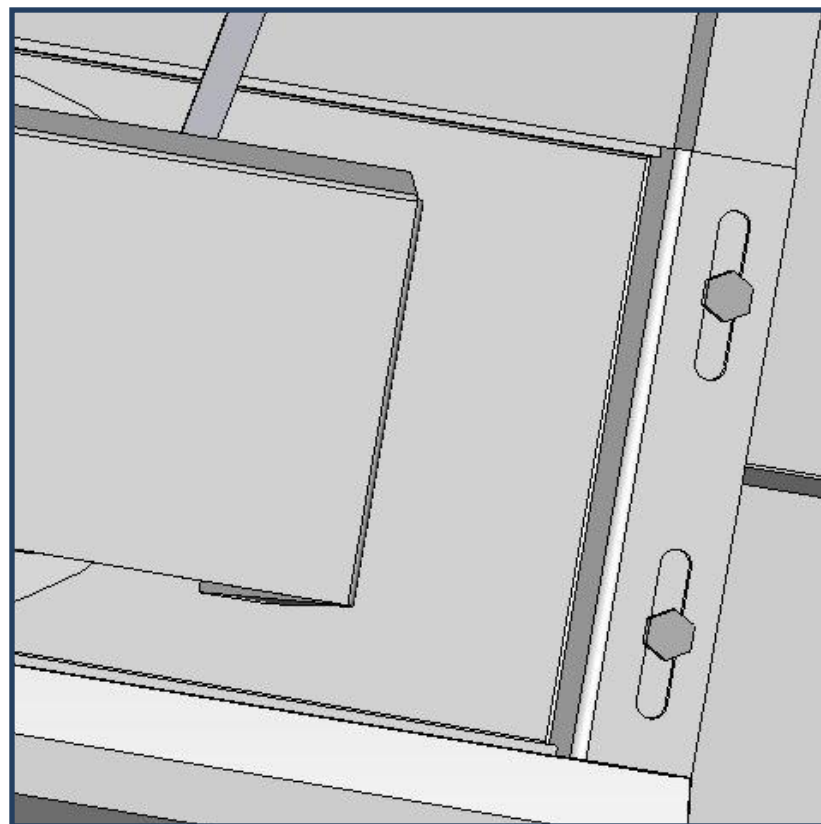
Check the belt yearly, if too loosen, adjust the belt properly.



E. 3-Year Maintenance

一、Tighten the belt

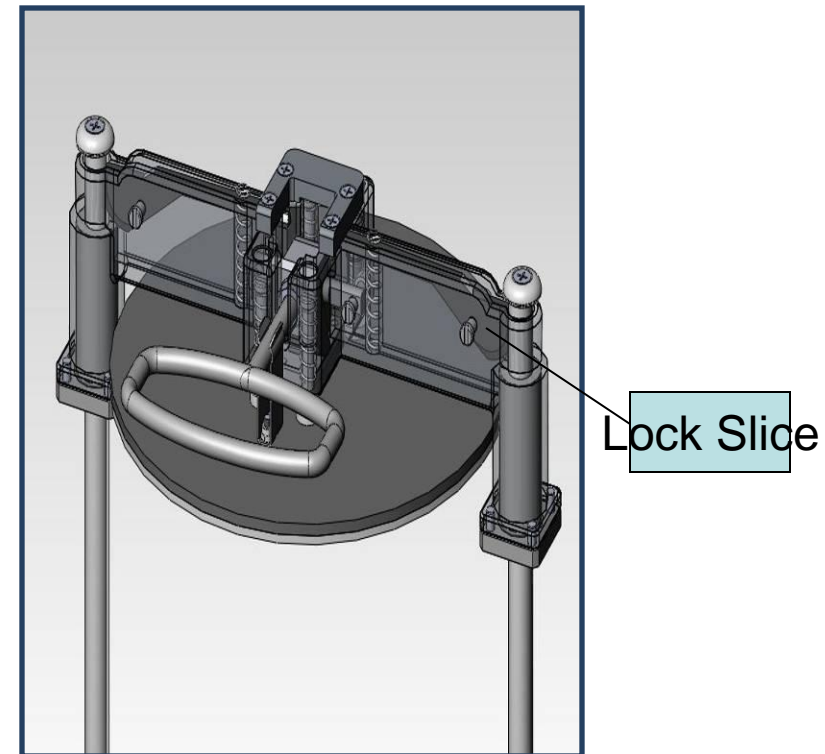
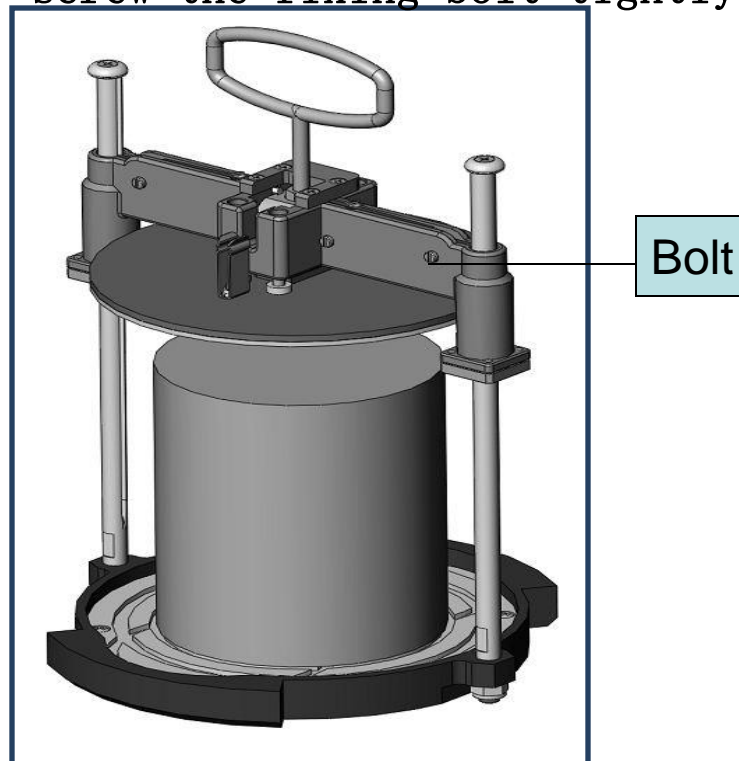
- 1、Loosen the belt on motor plate.
- 2、Adjust the belt properly by long-shape hole in plate.
- 3、Screw fixing bolt tightly on motor plate.



2、 Check the clamping pressure to see if the pressure diminished or not, if over diminished, replace the lock slice in time.

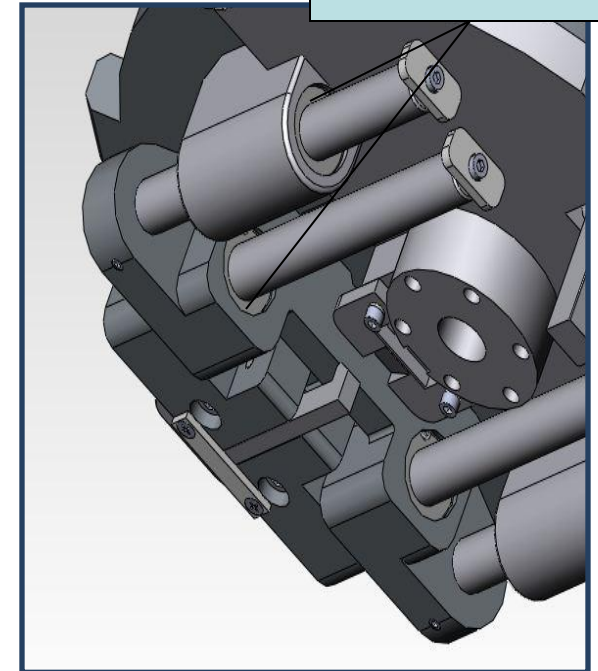
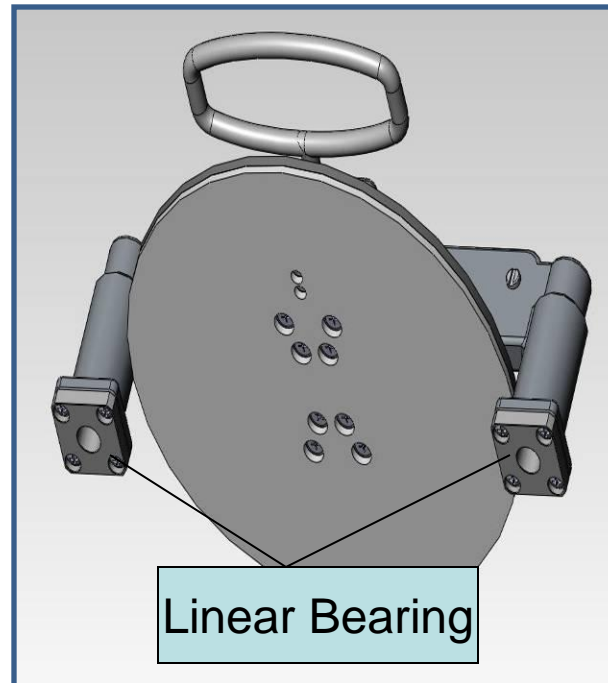
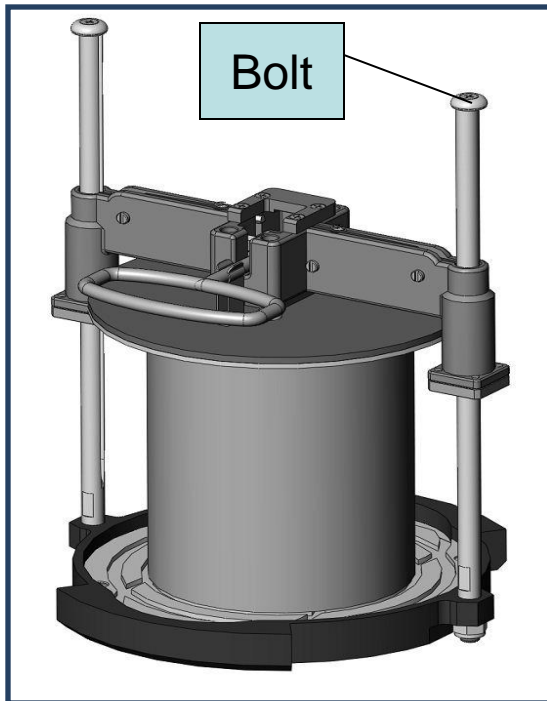
1、 Remove the fixing bolt on clamping frame plate.

2、 Replace new lock slice, adjust lock slice properly, and then screw the fixing bolt tightly.



3、 Check the Linear bearing

1. Remove the bolt on guide shaft, drag out the upper plate assembly, check the linear bearing in frame, if the bearing damaged or broken, replace it.
2. Remove 6 fixing bolts off the bottom plate assembly, draw out the bottom plate assembly to check the linear bearing in bottom plate assembly, if bearing broken, replace it.



Linear Bearing

**Zhengzhou Santint
Technology & Science Co,Ltd.**

**Xushui Trade Park, Zhongyuan west Road, Zhongyuan Block
Zhengzhou City**



Tel: 0371-67857219
8008836987

Thanks !